

No. 105 / POL 1 **certificate after renewing**
CERTIFICATE OF JUMPING HILL
CERTIFICAT DE CONFORMITE
SCHANZENPROFILBESTÄTIGUNG

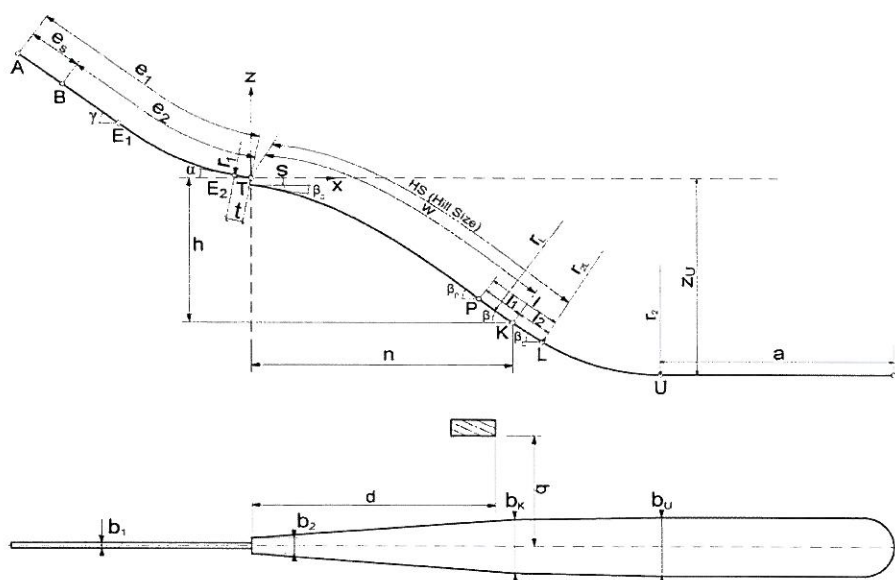
Date of issue 19.11.2017
 Établi le
 Ausgestellt am

Valid till 18.11.2022
 Valable jusq` au
 Gültig bis

Place: Zakopane

Name: Wielka Krokiew

HS = 140 m h/n 0,575 Vo = 28,28 m/s



e = 98,70 m	l_1 = 16,00 m	P = 109,00 m
e_s = 22,00 m 35 gates	l_2 = 15,00 m	K = 125,00 m
t = 6,50 m	a = 103,00 m sloping up 17°	L = 140,00 m
γ = 35,00 °	β_p = 37,05 °	b_1 = 2,60 m
α = 11,00 °	β = 34,30 °	b_K = 25,00 m
r_1 = 90,00 m	β_L = 31,40 °	b_U = 27,50 m
h = 62,37 m	r_L = 310,00 m	d = 84,00 m
n = 107,76 m	r_{2L} = 168,00 m	q = 35,00 m
s = 3,13 m	r_2 = 99,30 m	Z_u = 89,11 m

Remarks / Bemerkungen

1. inspection by Christian Kathol (31st October 2017)
2. the remarks of the inspection-report must be observed and fulfilled for the validity of certification.
3. for fulfilling the (FIS-ICR) standards of the jumpinghill, the owner is responsible during training and compe

JUMPING HILL APPROVED BY THE FIS
 TREMPLIN HOMOLOGUE PAR LA FIS
 DURCH DIE FIS GENEHMIGTE SPRUNGSCHANZE

SUB-COMMITTEE FOR JUMPING HILLS

CHAIRMAN:



Hans-Martin Renn